

Spring Rewind Hose Reel



Important Safety Instructions

Read all warnings and instructions in this manual. Save these instructions.

Spring Rewind Hose Reel



Models





ST25M-5S4

* ST25M-5S4 hose reel shown in the tables below is available in several colors.

Model No.	Rewind Type	Working Pressure Rating; Psi (bar)	Media	Hose Size (Inches)	Hose Length (MR)
ST25M-5S4	Spring Rewind	290psi (20bar)	Water	1 inch	30

Warnings

The following warnings are for the setup, use, grounding, maintenance, and repair of this equipment. The exclamation point symbol alerts you to a general warning and the hazard symbol refers to procedure-specific risk. Refer back to these warnings. Additional, product-specific warnings may be found throughout the body of this manual where applicable.

 WARNING	
	<p>FIRE AND EXPLOSION HAZARD</p> <p>When flammable fluids are present in the work area, such as gasoline and windshield wiper fluid, be aware that flammable fumes can ignite or explode. To help prevent fire and explosion:</p> <ul style="list-style-type: none"> • Use equipment only in well ventilated area. • Eliminate all ignition sources, such as cigarettes and portable electric lamps. • Keep work area free of debris, including rags and spilled or open containers of solvent and gasoline. • Do not plug or unplug power cords or turn lights on or off when flammable fumes are present. • Ground all equipment in the work area. • Use only grounded hoses. • If there is static sparking or you feel a shock, stop operation immediately. Do not use equipment until you identify and correct the problem. • Keep a working fire extinguisher in the work area.
	<p>EQUIPMENT MISUSE HAZARD</p> <p>Misuse can cause death or serious injury.</p> <ul style="list-style-type: none"> • Do not operate the unit when fatigued or under the influence of drugs or alcohol. • Do not exceed the maximum working pressure or temperature rating of the lowest rated system component. See Technical Data in all equipment manuals. • Use fluids and solvents that are compatible with equipment wetted parts. See Technical Data in all equipment manuals. Read fluid and solvent manufacturer’s warnings. For complete information about your material, request MSDS forms from distributor or retailer. • Check equipment daily. Repair or replace worn or damaged parts immediately with genuine manufacturer’s replacement parts only. • Do not alter or modify equipment. • Use equipment only for its intended purpose. Call your distributor for information. • Route hoses and cables away from traffic areas, sharp edges, moving parts, and hot surfaces. • Do not kink or over bend hoses or use hoses to pull equipment. • Keep children and animals away from work area. • Comply with all applicable safety regulations.
	<p>SKIN INJECTION HAZARD</p> <p>High-pressure fluid from dispense valve, hose leaks, or ruptured components will pierce skin. This may look like just a cut, but it is a serious injury that can result in amputation. Get immediate surgical treatment.</p> <ul style="list-style-type: none"> • Do not point dispense valve at anyone or at any part of the body. • Do not put your hand over the end of the dispense nozzle. • Do not stop or deflect leaks with your hand, body, glove, or rag. • Follow Pressure Relief Procedure in this manual, when you stop spraying and before cleaning, checking, or servicing equipment.

**WARNING****MOVING PARTS HAZARD**

Moving parts can pinch or amputate fingers and other body parts.

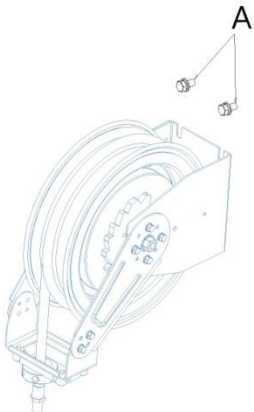

- Keep clear of moving parts.
- Do not operate equipment with protective guards or covers removed.
- Pressurized equipment can start without warning. Before checking, moving, or servicing equipment, follow the **Pressure Relief Procedure** in this manual. Disconnect power or air supply.

**PRESSURIZED EQUIPMENT HAZARD**

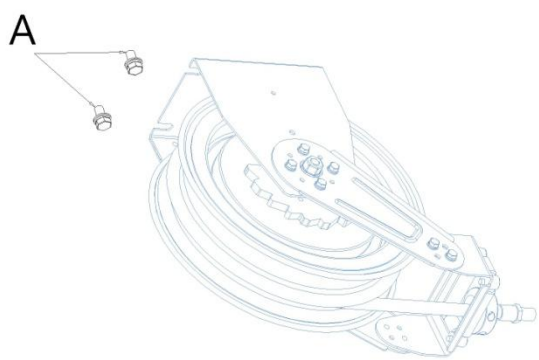
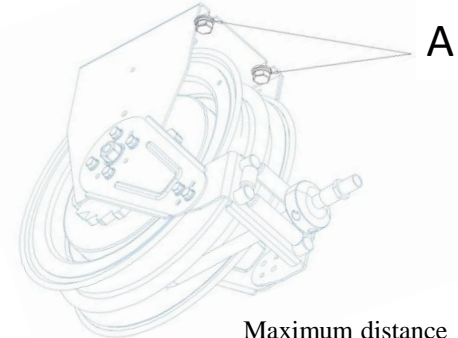
Fluid from the gun/dispense valve, leaks, or ruptured components can splash in the eyes or on skin and cause serious injury.

- Follow **Pressure Relief Procedure** in this manual, when you stop spraying and before cleaning, checking, or servicing equipment.
- Tighten all fluid connections before operating the equipment.
- Check hoses, tubes, and couplings daily. Replace worn or damaged parts immediately.

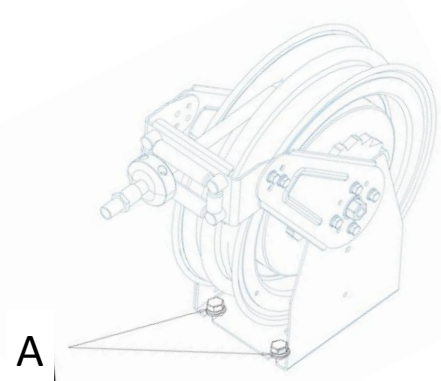
Wall Mounting

1.A=Screws	2.A=Screws
	 <p data-bbox="795 630 1023 693">Maximum distance to floor-16ft(4.87m)</p>

Ceiling Mounting

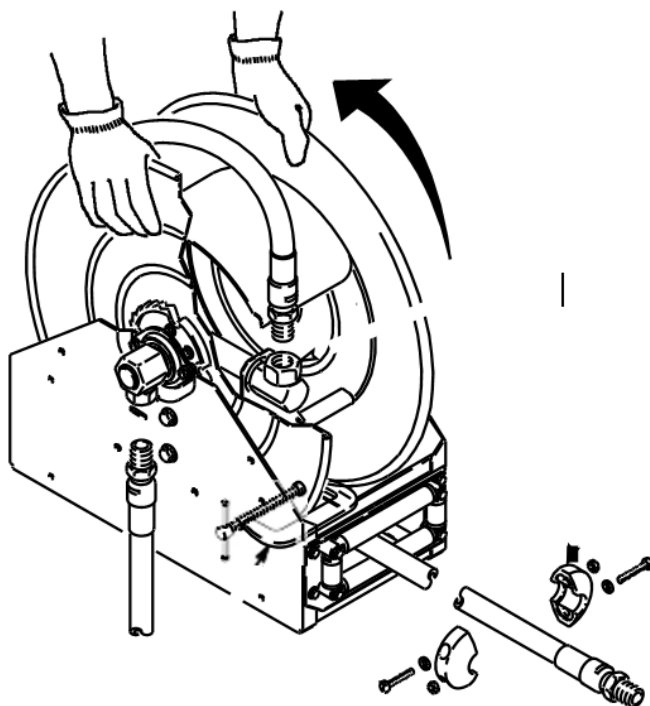
1.A=Screws	2.A=Screws
	 <p data-bbox="1088 1302 1315 1365">Maximum distance to floor-16ft(4.87m)</p>

Floor Mounting

1.A=Screws


Installation - Hose

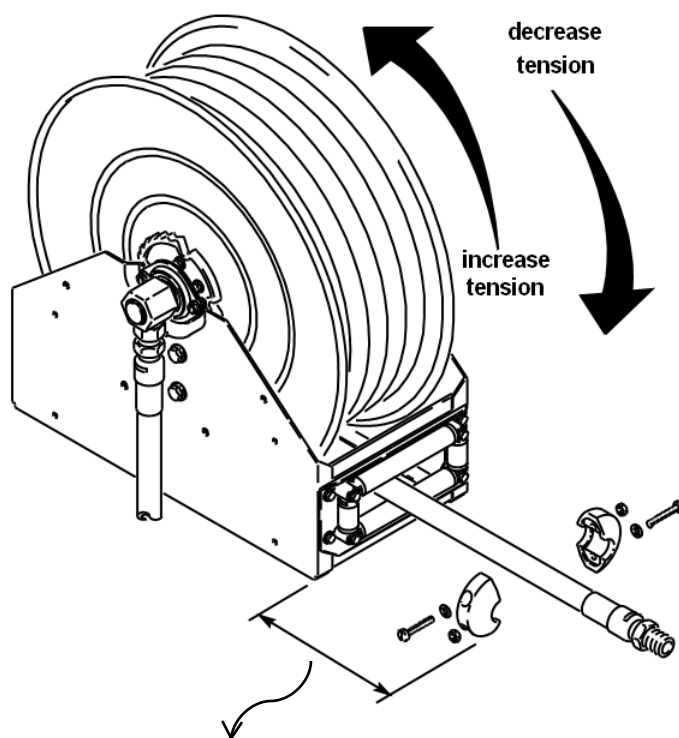
1. Clamp the hose reel to a flat surface.
2. Unlatch the reel drum, and allow it to slowly rotate until all spring tension has been released. Then rotate the reel in the direction of the arrow shown below to achieve the proper amount of spring tension for the hose you are installing.
3. Engage the latch so as not to rotate the disc.



4. Uncoil and extend the new hose, and loosely install the hose stop near the outlet end of the hose
5. Attach the other end of the new hose to the goose neck.
6. Pull the hose firmly enough to release the latch, then slowly allow the hose to retract.
7. Ensure that the hose can be pulled out all the way and that it fully retract.
If it does not pull out or retract properly, see Adjusting Spring Tension on the next page.
8. Position the hose stop so that the hose extends far enough for all operators to reach the dispensing valve.

Installation – Adjusting Spring Tension

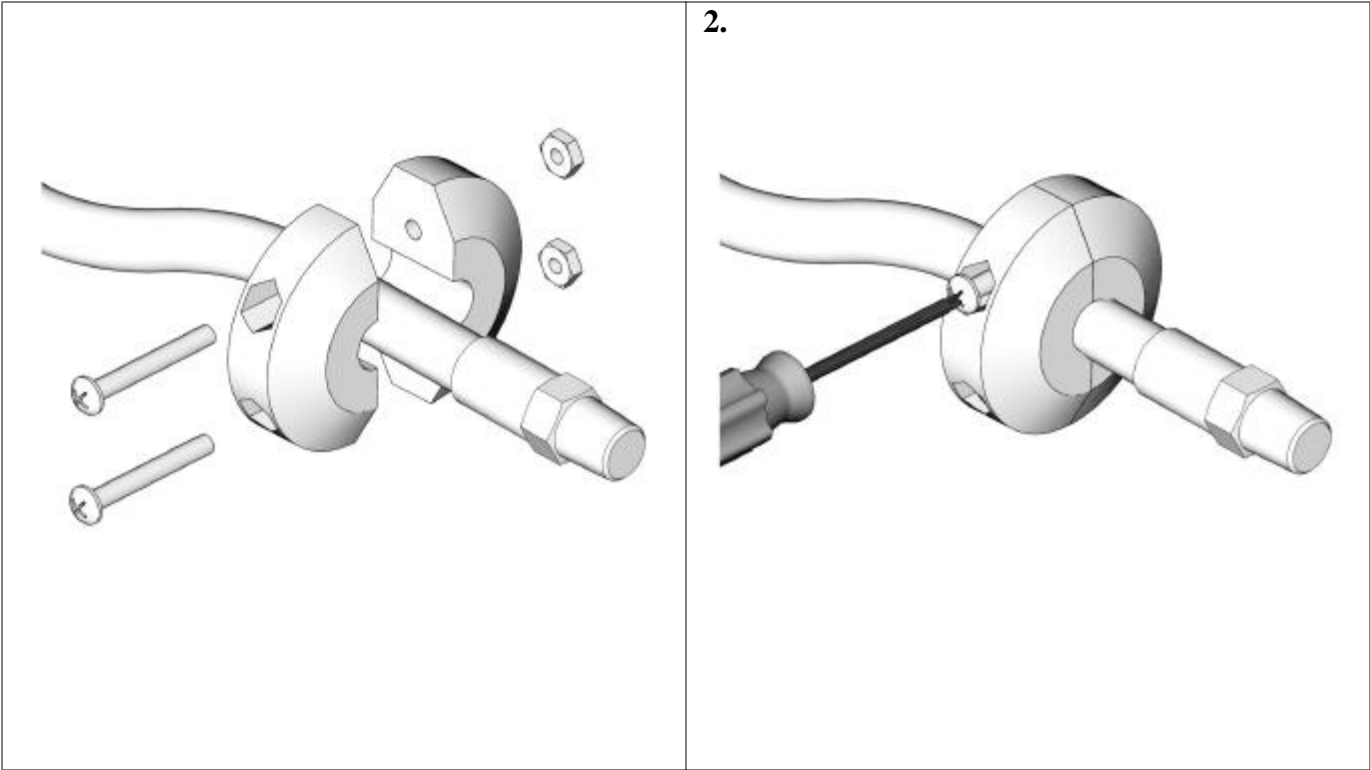
1. Pull the hose out and engage the latch.
2. Remove the dispensing valve and the hose stop.
3. Pull the loose end of the hose back in through the hose rollers, and manually wrap the hose onto the reel.
4. Rotate the reel in the direction of the appropriate arrow shown below, keeping the hose wrapped on the reel.
Each rotation of the reel increases or decreases enough spring tension to retract or let out approximately 1.5m of hose.



Position hose stop within operator's reach

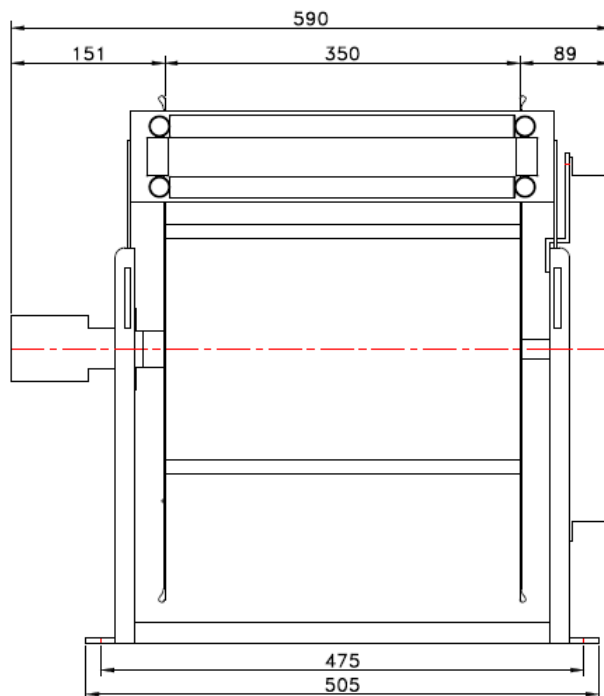
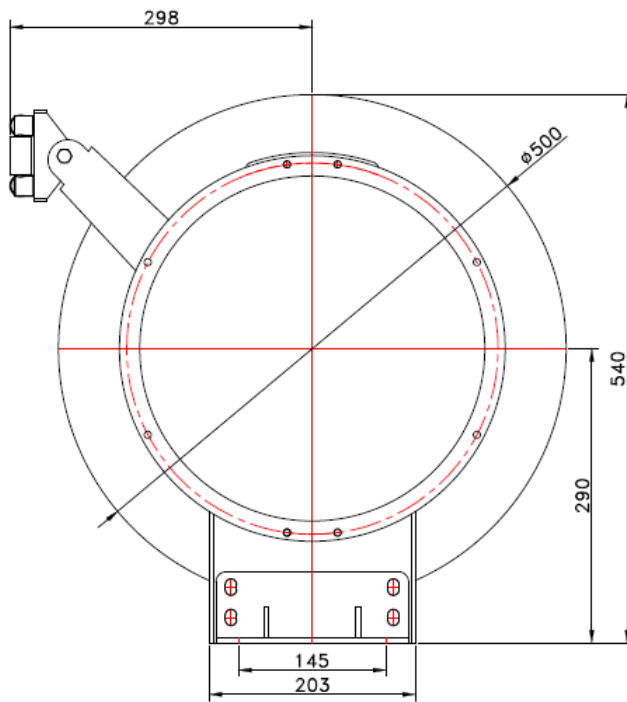
5. Check the spring tension. The hose must pull out fully and retract fully.
6. Repeat Steps 4 and 5 until you have the proper amount of spring tension.
7. Reroute the hose through the hose rollers, and reinstall the hose stop and dispensing valve.

Hose Stopper Installation



Dimensions

SD25M-5S4



General Maintenance

- 1) Use a hose reel & hose properly rated for the job.
- 2) Never exceed the pressure rating specified for a particular reel and hose. Remember, even low pressure is dangerous and can cause injury or death. Also, make sure that the size and material of both the reel and hose are designed for the intended use.
- 3) Use a flexible-hose connector between a swivel joint and inlet piping.
- 4) Check for possible leaks at fluid connections prior to use. If a leak occurs in the hose or reel, remove from system pressure immediately.
- 5) Release pressure in hose before removing fittings or performing any maintenance.
- 6) Filter should be drained daily and cleaned frequently, depending upon type of service.



REELTEC reels will not assume any responsibility for any remodeling and modifications to our Reels or products are manufactured by REELEC nor for uses other than for which these products are intended.

TROUBLE	CAUSE	REMEDY
HOSE WILL NOT FULLY FIT ON TO DRUM OF REEL	a) Hose is longer than specified. b) Outside diameter of hose is larger than specification. c) Hose was not hand guided onto reel and wound up evenly on drum.	a) Cut down hose to meet reels specified capacity. b) Replace hose with a hose that meets the specified maximum outside diameter requirements. c) Hand guide hose on to drum to wrap evenly as it is wound on to the reel.
HOSE WILL NOT FULLY RETRACT	a) Outlet nozzle, gun or tool is too heavy. b) Spring is fatigued. c) Installed hose is too long.	a) Add spring tension b) Add spring tension c) Cut down hose to meet reels specified capacity.
HOSE WILL NOT RETRACT AT ALL	Spring has lost all tension or has possibly broken.	a) Adjust spring tension b) Replace the spring
REEL WILL NOT LATCH	a) Incorrect operation. b) Dog spring is broken or worn.	a) Reel latches on first, second, third or fourth "click" b) After forth "click" it automatically rewinds. c) Replace dog spring.
FLUID PATH (PLUMBING AND/OR SWIVEL) IS LEAKING OR DAMAGED	a) Maximum pressure rating for reel has been exceeded. b) Application is not compatible with plumbing and/or swivel seal materials.	a) Replace or repair damaged components. Consult factory. Check maximum pressure rating of reel. b) Contact factory to determine chemical compatibility or environmental issues (i.e. temperature rating)
FLUID LEAKS FROM SWIVEL	Swivel seals are damaged or worn.	Replace swivel seals. Caution: Be sure leak is not at Hose Fitting!

Reeltec Hose Reel Warranty

Reeltec warrants all equipment referenced in this document which is manufactured by Reeltec and bearing its name to be free from defects in material and workmanship on the date of sale to the original purchaser for use. With the exception of any special, extended, or limited warranty published by Reeltec, Reeltec will, for a period as defined in the table below from the date of sale, repair or replace equipment covered by this warranty and determined by Reeltec to be defective. This warranty applies only when the equipment is installed, operated and maintained in accordance with Reeltec's written recommendations.

Component	WarrantyPeriod
Wear parts, including but not limited to: hose, Swivel seals, roller guide	12months
Reel structural components and spring	12months
Bare hose reels: all components	12months

This warranty does not cover, and Reeltec shall not be liable for general wear and tear, or any malfunction, damage or wear caused by faulty installation, misapplication, abrasion, corrosion, inadequate or improper maintenance, negligence, accident, tampering, or substitution of non-Reeltec component parts. Nor shall Reeltec be liable for malfunction, damage or wear caused by the incompatibility of Reeltec equipment with structures, accessories, equipment or materials not supplied by Reeltec, or the improper design, manufacture, installation, operation or maintenance of structures, accessories, equipment or materials not supplied by Reeltec.

This warranty is conditioned upon the prepaid return of the equipment claimed to be defective to an authorized Reeltec distributor for verification of the claimed defect. If the claimed defect is verified, Reeltec will repair or replace free of charge any defective parts. The equipment will be returned to the original purchaser transportation prepaid. If inspection of the equipment does not disclose any defect in material or workmanship, repairs will be made at a reasonable charge, which charges may include the costs of parts, labor, and transportation.

THIS WARRANTY IS EXCLUSIVE, AND IS IN LIEU OF ANY OTHER WARRANTIES, EXPRESS OR IMPLIED, INCLUDING BUT NOT LIMITED TO WARRANTY OF MERCHANTABILITY OR WARRANTY OF FITNESS FOR A PARTICULAR PURPOSE.

Reeltec's sole obligation and buyer's sole remedy for any breach of warranty shall be as set forth above. The buyer agrees that no other remedy (including, but not limited to, incidental or consequential damages for lost profits, lost sales, injury to person or property, or any other incidental or consequential loss) shall be available. Any action for breach of warranty must be brought within 48 months of the date of sale, or 24 months for all other parts.

Reeltec MAKES NO WARRANTY, AND DISCLAIMS ALL IMPLIED WARRANTIES OF MERCHANTABILITY AND FITNESS FOR A PARTICULAR PURPOSE, IN CONNECTION WITH ACCESSORIES, EQUIPMENT, MATERIALS OR COMPONENTS SOLD BUT NOT MANUFACTURED BY Reeltec. These items sold, but not manufactured by Reeltec (such as electric motors, switches, hose, etc.), are subject to the warranty, if any, of their manufacturer. Reeltec will provide purchaser with reasonable assistance in making any claim for breach of these warranties.

In no event will Reeltec be liable for indirect, incidental, special or consequential damages resulting from Reeltec supplying equipment hereunder, or the furnishing, performance, or use of any products or other goods sold hereto, whether due to a breach of contract, breach of warranty, the negligence of Reeltec, or otherwise.

